

### KEY FEATURES

- Full range loudspeaker
- Excellent performance/price ratio
- High sensitivity (96 dB)
- Low distortion
- Extended frequency response (up to 18 kHz)
- Designed for all kind of public address applications

### TECHNICAL SPECIFICATIONS

|                  |                        |
|------------------|------------------------|
| Type             | Full range loudspeaker |
| Nominal diameter | 200 mm. 8 in.          |
| Rated impedance  | 8 ohms.                |
| Power capacity   | 35 w RMS               |
| Sensitivity      | 96 dB, 1 w @ 1 m       |
| Frequency range  | 60-18000 Hz            |

### MOUNTING INFORMATION

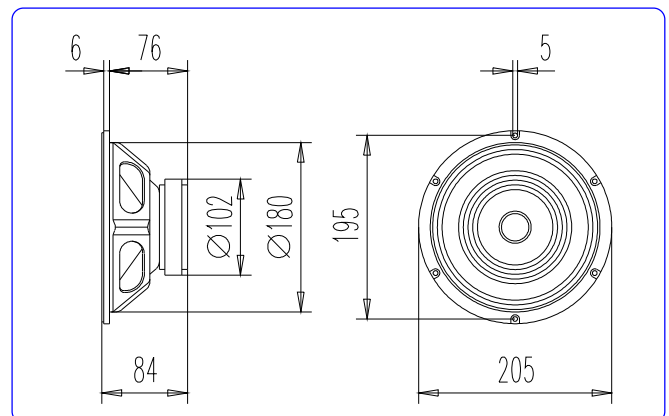
|                   |                  |
|-------------------|------------------|
| Overall diameter  | 205 mm. 8.07 in. |
| Mounting diameter | 180 mm. 7.10 in. |
| Depth             | 84 mm. 3.14 in.  |
| Net weight        | 1.5 kg. 3.3 lb.  |

### MATERIALS

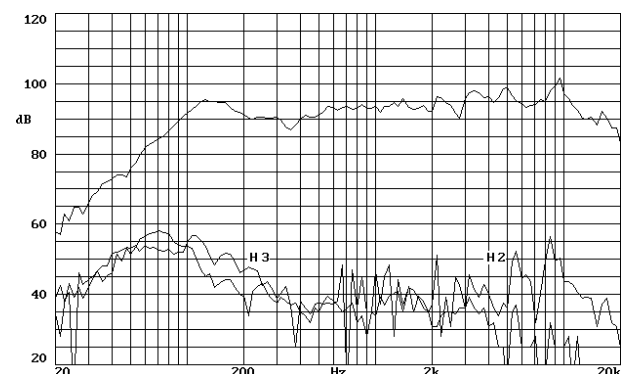
- **Basket:** metal.
- **Cone:** paper.
- **Surround:** paper.
- **Voice coil:** copper.



### DIMENSION DRAWINGS



### FREQUENCY RESPONSE AND DISTORTION CURVES



Note: on axis frequency response measured with loudspeaker standing on infinite baffle in anechoic chamber, 1w @ 1m.