

18" G 480

LOW FREQUENCY LOUDSPEAKER

DESCRIPTION

This 18" loudspeaker is specially designed to deliver high-impact bass response, with exceptional high power handling capacity. It features an unusual 13.5 kg magnetic structure, an extended length voice coil, with 5" (126 mm.) diameter, double spider suspension and symmetrical magnetic field.

SPECIFICATIONS

Nominal diameter	460 mm. 18 in.
Rated impedance	8 ohms.
Power capacity	800 w
Sensitivity	98 dB
Frequency range	30 - 2500 Hz
Recommended enclosure vol.	80 - 200 l 2.8 - 7 ft. ³
Voice coil diameter	126 mm. 5 in.
Magnetic assembly weight	13.5 kg. 29.7 lb.
BL Factor	26.4 N/A
Moving mass	0.175 kg.

Positive voltage on red terminal moves diaphragm forward

THIELE-SMALL PARAMETERS

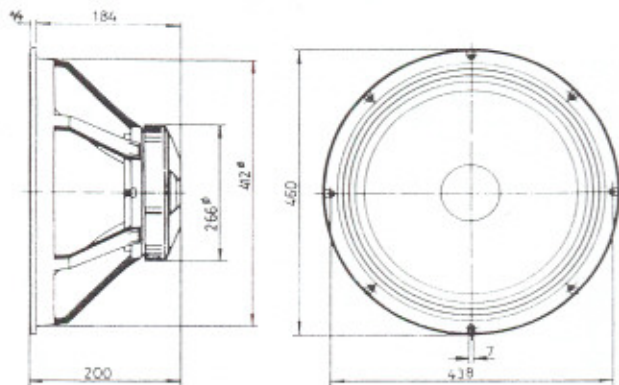
Fs	26 Hz
Re	6.5 ohms.
Qms	6.05
Qes	0.263
Qts	0.252
Vas	440 l 15.5 ft. ³
η_0	2.7 %
Sd	0.12 m ² . 186 in ² .
Xmax	9 mm. 0.35 in.
Vd	1075 cm ³ . 65.5 in ³ .
Le	2 mH

MOUNTING INFORMATION

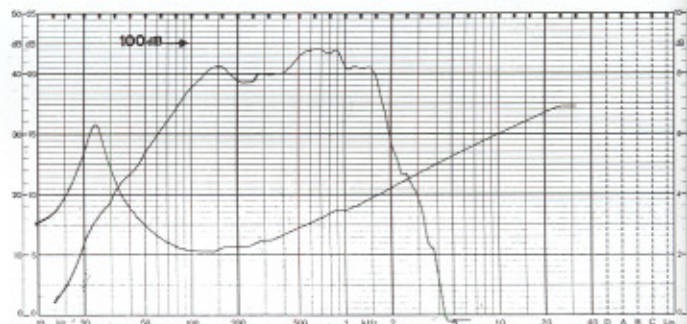
Overall diameter	450 mm. 17.72 in.
Bolt circle diameter	432 mm. 17.01 in.
Baffle cutout diameter :	
-Front mount	415 mm. 16.34 in.
-Rear mount	400 mm. 15.75 in.
Depth	200 mm. 7.8 in.
Volume displaced by driver	14 l 0.49 ft. ³
Net weight	15.5 kg. 34.1 lb.
Shipping weight	17 kg. 37.4 lb.

MATERIALS

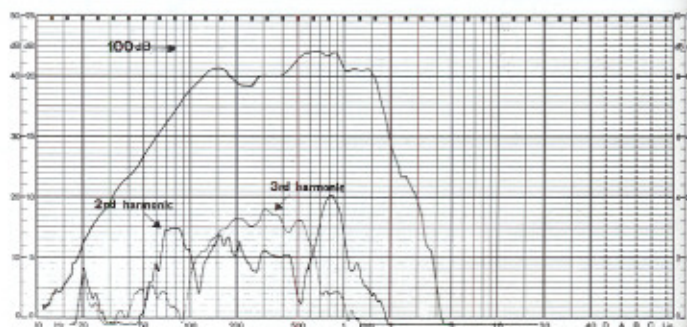
Basket	Die cast aluminium
Cone	Paper
Surround	Plasticised cloth
Voice coil material	Edgewound copper ribbon wire



Frequency response * & Impedance curves. On axis, 1w @ 1m



Distortion vs. Frequency. 2nd & 3rd harmonic level raised 20 dB



PREDICTED LOW FREQUENCY RESPONSE • Bass-reflex cabinet, Vb=120 l, fb=45 Hz

