

LOW FREQUENCY TRANSDUCER

KEY FEATURES

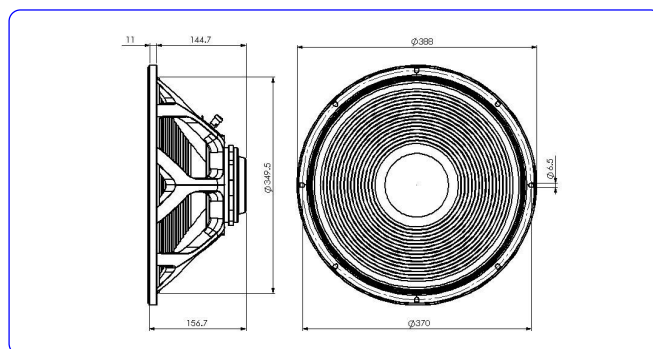
- Good power handling (400 w AES)
- Excellent sensitivity (99 dB)
- Extended frequency response (30 - 3500 Hz)
- Neodymium magnets
- Aluminium basket

TECHNICAL SPECIFICATIONS

Nominal diameter	380 mm. 15 in.
Rated impedance	8 ohms
Minimum impedance	5.8 ohms
Power capacity*	400 w AES
Program power	800 w
Sensitivity	99 dB 2.83v @ 1m @ 2π
Frequency range	30 - 3500 Hz
Recom. enclosure vol.	50 / 130 l 1.75 / 4.59 ft. ³
Voice coil diameter	62.4 mm. 2.5 in.
Magnetic assembly weight	2.54 kg. 5.59 lb.
BL factor	17.2 N / A
Moving mass	0.090 kg.
Voice coil length	17.5 mm
Air gap height	10 mm
X damage (peak to peak)	27.5 mm



DIMENSION DRAWINGS



THIELE-SMALL PARAMETERS**

Resonant frequency, fs	42 Hz
D.C. Voice coil resistance, Re	5 ohms.
Mechanical Quality Factor, Qms	7.62
Electrical Quality Factor, Qes	0.40
Total Quality Factor, Qts	0.38
Equivalent Air Volume to Cms, Vas	176 l
Mechanical Compliance, Cms	160 μm / N
Mechanical Resistance, Rms	3.11 kg / s
Efficiency, η (%)	3.1
Effective Surface Area, Sd (m ²)	0.0880 m ²
Maximum Displacement, Xmax***	6.5 mm
Displacement Volume, Vd	572 cm ³
Voice Coil Inductance, Le @ 1 kHz	1.7 mH

MOUNTING INFORMATION

Overall diameter	388 mm. 15.28 in.
Bolt circle diameter	370 mm. 14.57 in.
Baffle cutout diameter:	
- Front mount	349.5 mm. 13.76 in.
- Rear mount	355 mm. 13.98 in.
Depth	156.7 mm. 6.17 in.
Volume displaced by driver	5.5 l 0.19 ft. ³
Net weight	3.6 kg. 7.92 lb.
Shipping weight	4.6 kg. 10.12 lb.

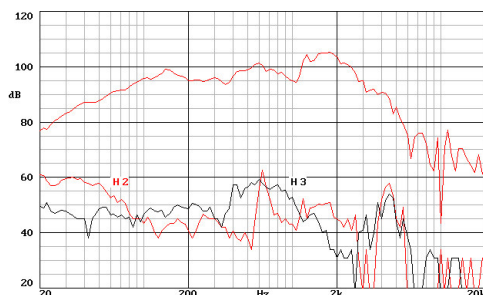
Notes:

*The power capacity is determined according to AES2-1984 (r2003) standard. Program power is defined as the transducer's ability to handle normal music program material.

**T-S parameters are measured after an exercise period using a preconditioning power test.

***The Xmax is calculated as (Lvc - Hag)/2 + Hag/3.5, where Lvc is the voice coil length and Hag is the air gap height.

FREQUENCY RESPONSE AND DISTORTION



Note: on axis frequency response measured with loudspeaker standing on infinite baffle in anechoic chamber, 1w @ 1m.

FREE AIR IMPEDANCE CURVE

