

# 15" G350

## SOUND REINFORCEMENT LOUDSPEAKER

### DESCRIPTION

This 15" cone transducer is designed for professional high level, high performance sound reinforcement systems. It features 3" voice coil diameter, wound on a high temperature former. The magnetic structure is vented, in order to maximize heat dissipation, increasing power handling while reducing power compression. The result is a loudspeaker that combines high efficiency, extended frequency response, high power capacity and mechanical durability.

### SPECIFICATIONS

Nominal diameter	380 mm. 15 in.
Rated impedance	8 ohms.
Power capacity	250 w
Sensitivity	101 dB
Frequency range	30 - 4000 Hz
Recommended enclosure vol.	60 - 150 l 2.1 - 5.3 ft. <sup>3</sup>
Voice coil diameter	77 mm. 3 in.
Magnetic assembly weight	6.5 kg. 14.3 lb.
BL Factor	17.6 N/A
Moving mass	0.070 kg.

Positive voltage on red terminal moves diaphragm forward

### THIELE-SMALL PARAMETERS

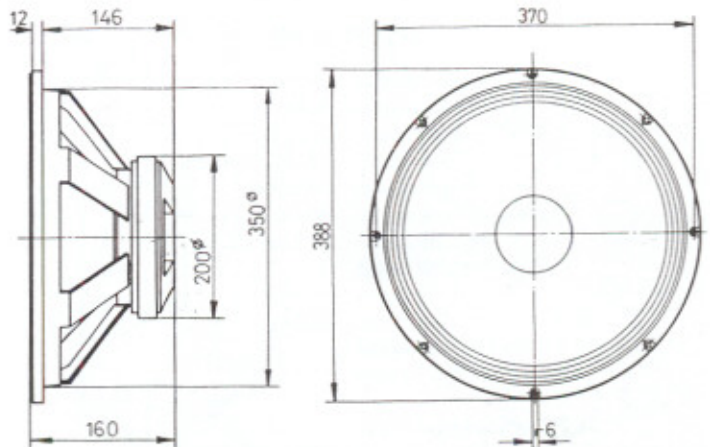
Fs	34 Hz
Re	6.3 ohms.
Qms	12.78
Qts	0.304
Qts	0.297
Vas	302 l 10.66 ft. <sup>3</sup>
$\eta_0$	3.8 %
Sd	0.083 m <sup>2</sup> 0.18 in. <sup>2</sup>
Xmax	4.5 mm. 0.18 in.
Vd	373 cm <sup>3</sup> 22.8 in. <sup>3</sup>
Le	0.8 mH

### MOUNTING INFORMATION

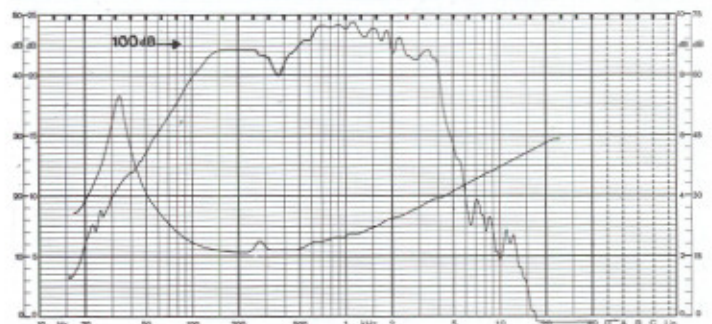
Overall diameter	388 mm. 15.28 in.
Bolt circle diameter	370 mm. 14.57 in.
Baffle cutout diameter:	
-Front mount	352 mm. 13.86 in.
-Rear mount	355 mm. 13.98 in.
Depth	162 mm. 6.38 in.
Volume displaced by driver	7 l 0.25 ft. <sup>3</sup>
Net weight	8 kg. 17.6 lb.
Shipping weight	9 kg. 19.8 lb.

### MATERIALS

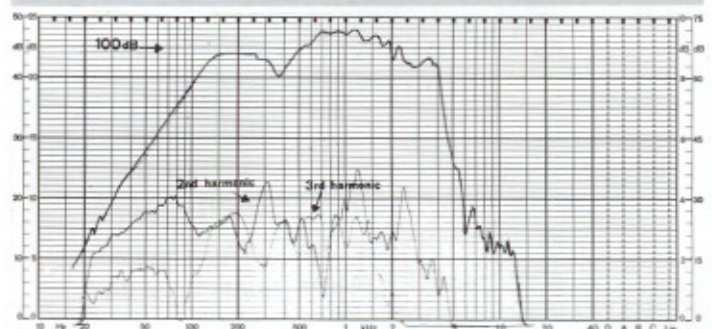
Basket	Die cast aluminium
Cone	Paper
Surround	Plasticised cloth
Voice coil material	Copper



Frequency response & Impedance curves. On axis, 1w @ 1m



Distortion vs. Frequency • 2nd & 3rd harmonic level raised 20 dB



PREDICTED LOW FREQUENCY RESPONSE • Bass-reflex cabinet, Vb=110 l, fb=46 Hz

